



SINKS

SERVING THE FOOD INDUSTRY SINCE 1951

STAINLESS STEEL MOP SINKS WITH DRAIN BASKET

MOST CONVENIENT, USEFUL CLEANING TOOL FOR YOUR FLOOR MOPS

This floor mounted mop sink is designed to eliminate lifting of heavy mop buckets. It is made from high-quality 16-gauge 304 stainless steel for easy cleaning and lasting durability.



WARRANTY



Authorized Dealer

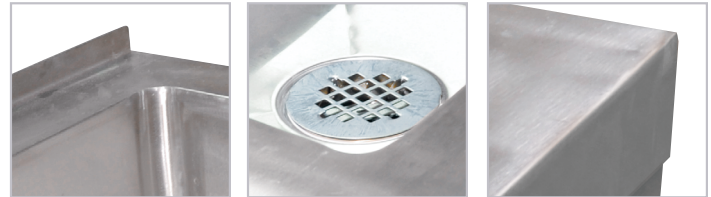
SINKS

20" x 16" x 6" STAINLESS STEEL MOP SINK | ITEM 24412



FEATURES

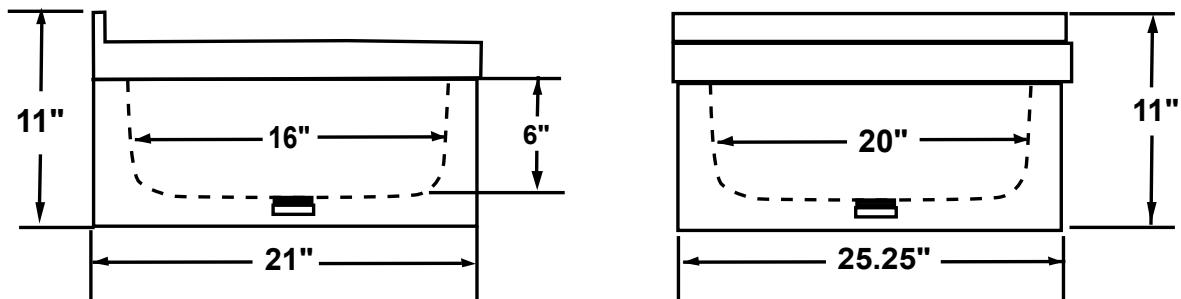
- Made with high quality 16-gauge 304 stainless steel
- Comes included with drain basket
- Drain Pipe Size: Ø 3" (Drain pipe excluded)



TECHNICAL SPECIFICATIONS

ITEM	24412
DESCRIPTION	20" x 16" x 6" Stainless Steel Mop Sink with Drain Basket
BOWL DIMENSIONS (WDH)	20" x 16" x 6" / 508 x 406 x 152.4 mm
DIMENSIONS (DWH)	21" x 25.25" x 11" / 533 x 641 x 279 mm
PACKAGING DIMENSIONS	27" x 23" x 12" / 686 x 584 x 304 mm
WEIGHT	23 lbs. / 10.4 kg.
GROSS WEIGHT	27.5 lbs. / 12.47 kg.

TECHNICAL DRAWINGS WITH DETAILED DIMENSIONS



OMCAN INC.

Telephone: 1-800-465-0234
 Fax: (905) 607-0234
 E-mail: sales@omcan.com
 Website: www.omcan.com

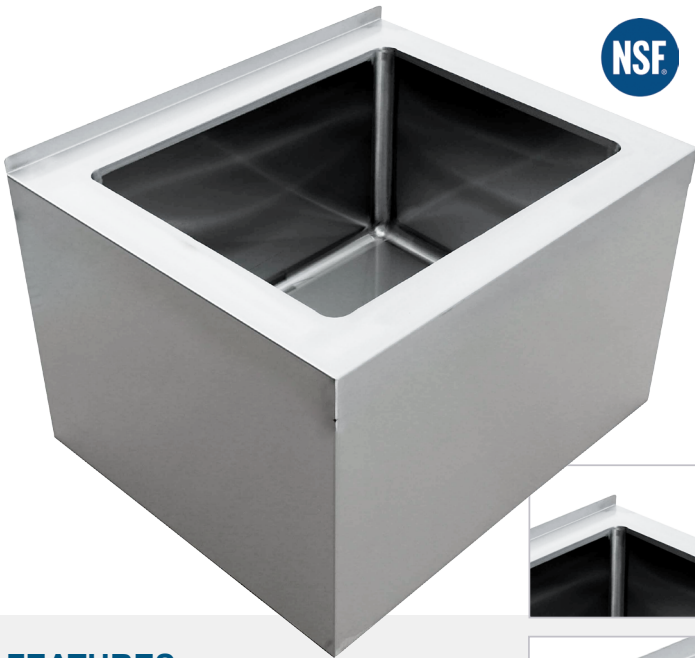


Follow us to keep up to date with the latest news and offers



SINKS

20" x 16" x 12" STAINLESS STEEL MOP SINK | ITEM 44606

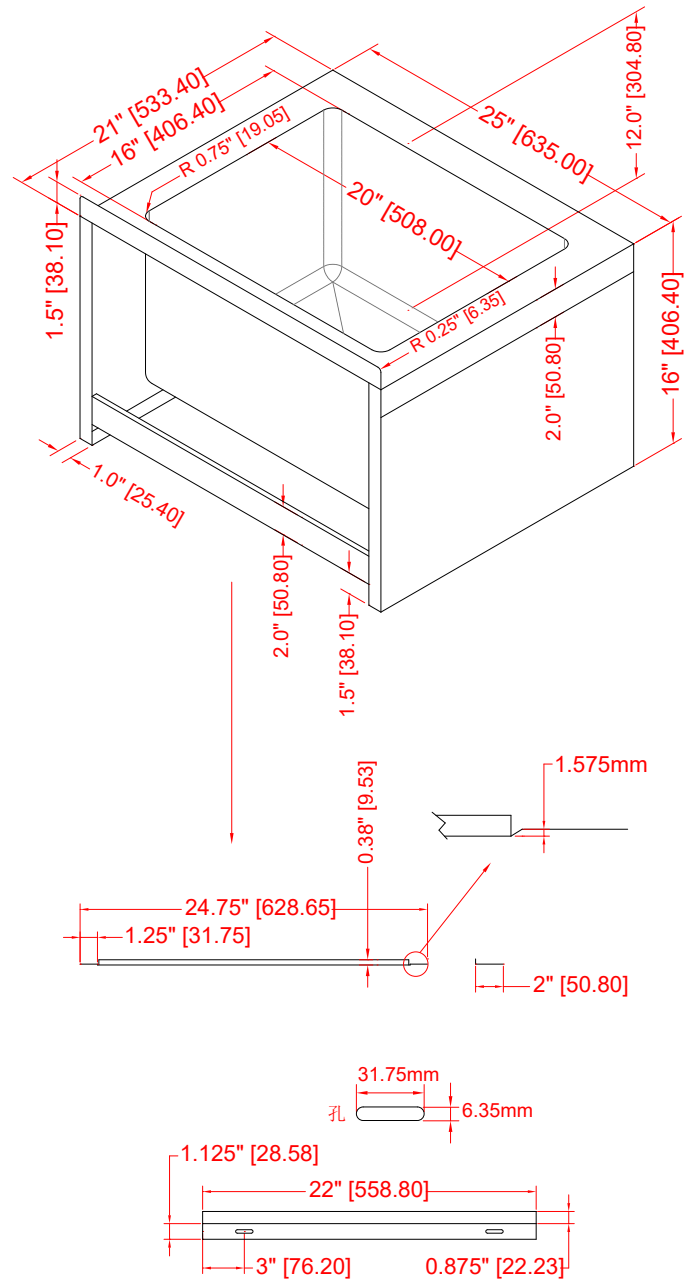


FEATURES

- Made with high quality 16-gauge 304 stainless steel
- Comes with drain basket
- Drain Pipe Size: Ø 2.36" (Drain pipe excluded)



TECHNICAL DRAWINGS WITH DETAILED DIMENSIONS



TECHNICAL SPECIFICATIONS

ITEM	44606
DESCRIPTION	20" x 16" x 12" Stainless Steel Mop Sink with Drain Basket
BOWL DIMENSIONS (WDH)	20" x 16" x 12" 508 x 406.4 x 304.8 mm
DIMENSIONS (DWH)	21" x 25" x 16" 533.4 x 635 x 406.4 mm
PACKAGING DIMENSIONS	22" x 17" x 26" 558.8 x 431.8 x 660.4 mm
WEIGHT	35.8 lbs. / 16.23 kg.
GROSS WEIGHT	46.2 lbs. / 21 kg.

OMCAN INC.

Telephone: 1-800-465-0234
 Fax: (905) 607-0234
 E-mail: sales@omcan.com
 Website: www.omcan.com



Follow us to keep up to date with the latest news and offers



SINKS

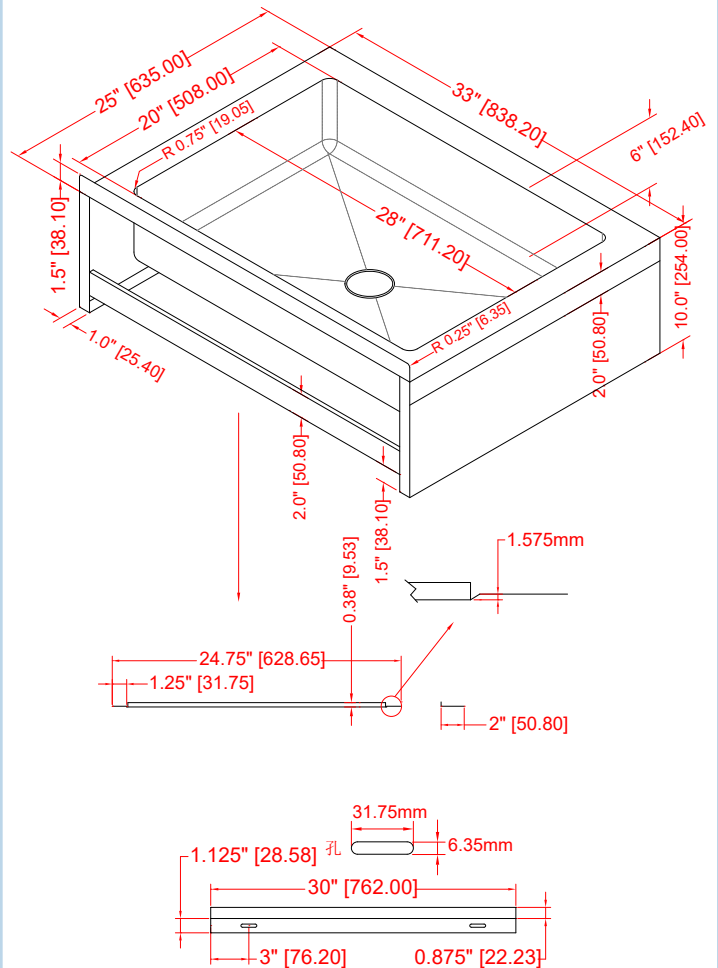
28" x 20" x 6" STAINLESS STEEL MOP SINK | ITEM 44605



FEATURES

- Made with high quality 16-gauge 304 stainless steel
- Comes with drain basket
- Drain Pipe Size: Ø 2.36" (Drain pipe excluded)

TECHNICAL DRAWINGS WITH DETAILED DIMENSIONS



TECHNICAL SPECIFICATIONS

ITEM	44605
DESCRIPTION	28" x 20" x 6" Stainless Steel Mop Sink with Drain Basket
BOWL DIMENSIONS (WDH)	28" x 20" x 6" 711.2 x 508 x 152.4 mm
DIMENSIONS (DWH)	25" x 33" x 10" 635 x 838.2 x 254 mm
PACKAGING DIMENSIONS	26" x 12" x 34" 660.4 x 304.8 x 863.6 mm
WEIGHT	37.4 lbs. / 17 kg.
GROSS WEIGHT	44 lbs. / 20 kg.

OMCAN INC.

Telephone: 1-800-465-0234
 Fax: (905) 607-0234
 E-mail: sales@omcan.com
 Website: www.omcan.com

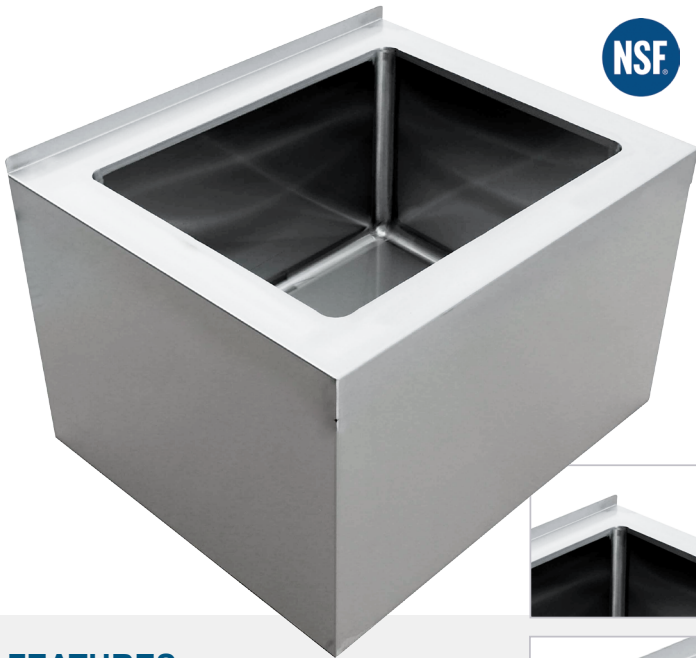


Follow us to keep up to date with the latest news and offers



SINKS

28" x 20" x 12" STAINLESS STEEL MOP SINK | ITEM 44607

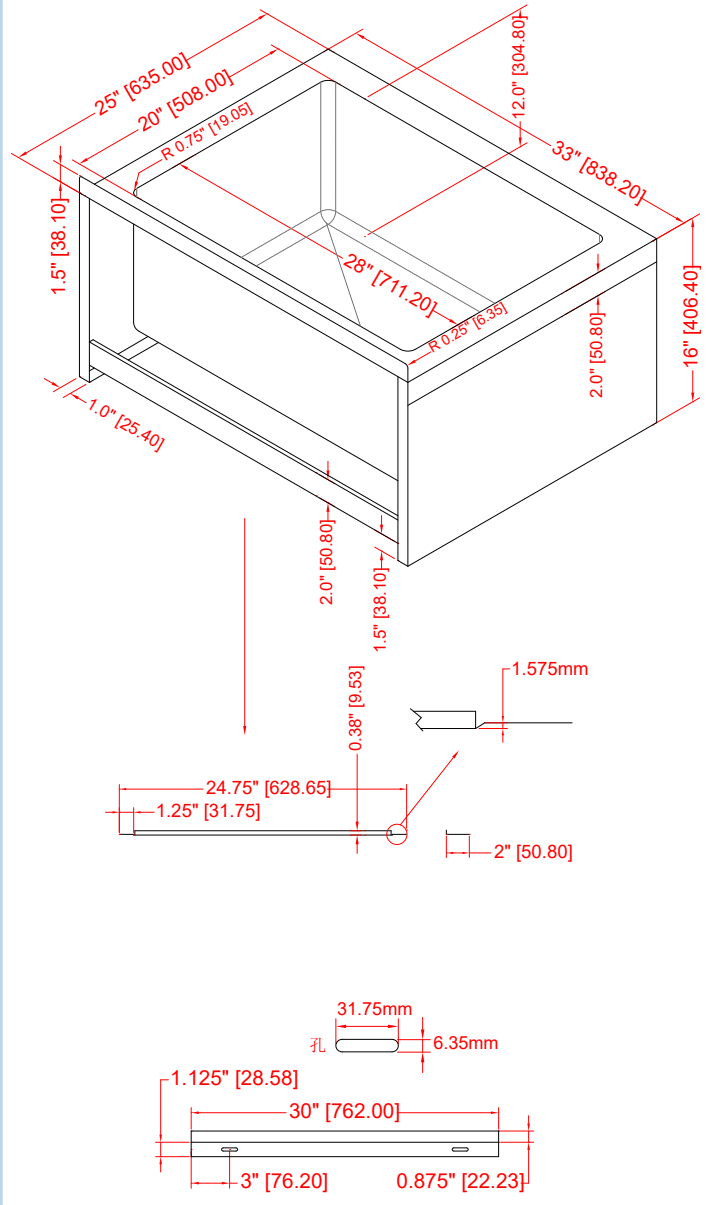


FEATURES

- Made with high quality 16-gauge 304 stainless steel
- Comes with drain basket
- Drain Pipe Size: Ø 2.36" (Drain pipe excluded)



TECHNICAL DRAWINGS WITH DETAILED DIMENSIONS



TECHNICAL SPECIFICATIONS

ITEM	44607
DESCRIPTION	28" x 20" x 12" Stainless Steel Mop Sink with Drain Basket
BOWL DIMENSIONS (WDH)	28" x 20" x 12" 711.2 x 508 x 304.8 mm
DIMENSIONS (DWH)	25" x 33" x 16" 635 x 838.2 x 406.4
PACKAGING DIMENSIONS	26" x 17" x 34" 660.4 x 431.8 x 863.6 mm
WEIGHT	67.1 lbs. / 30.4 kg.
GROSS WEIGHT	75.9 lbs. / 34.4 kg.

OMCAN INC.

Telephone: 1-800-465-0234
 Fax: (905) 607-0234
 E-mail: sales@omcan.com
 Website: www.omcan.com



Follow us to keep up to date with the latest news and offers

